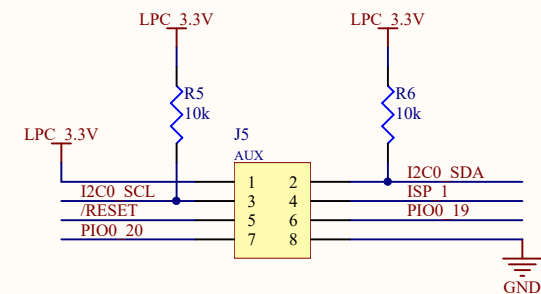
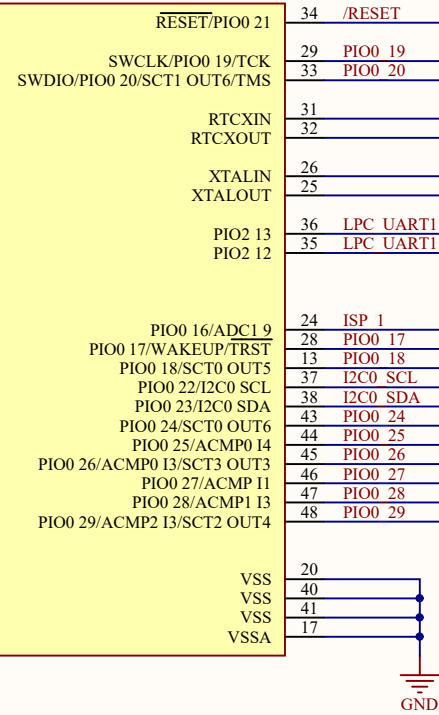
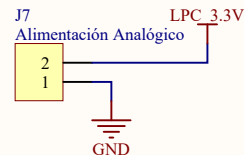
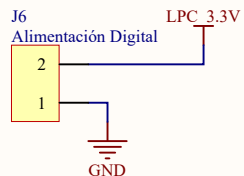
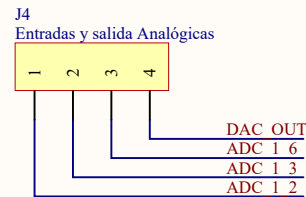
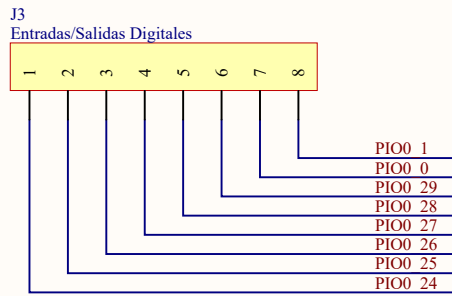
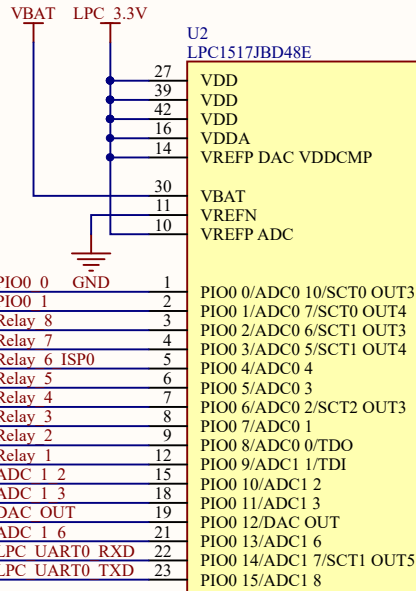
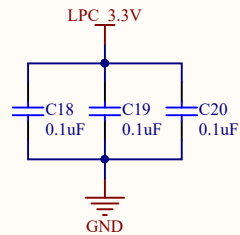
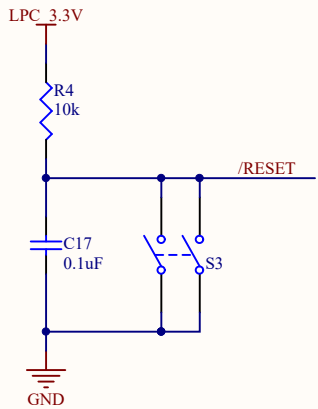
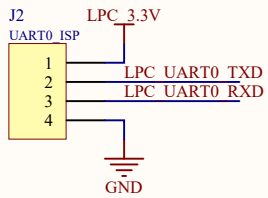
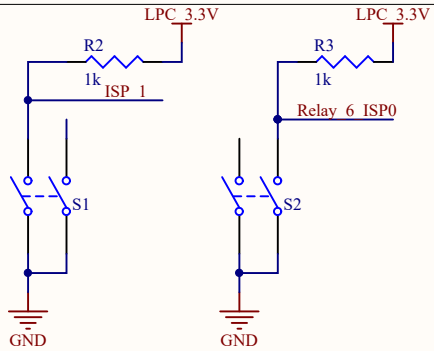
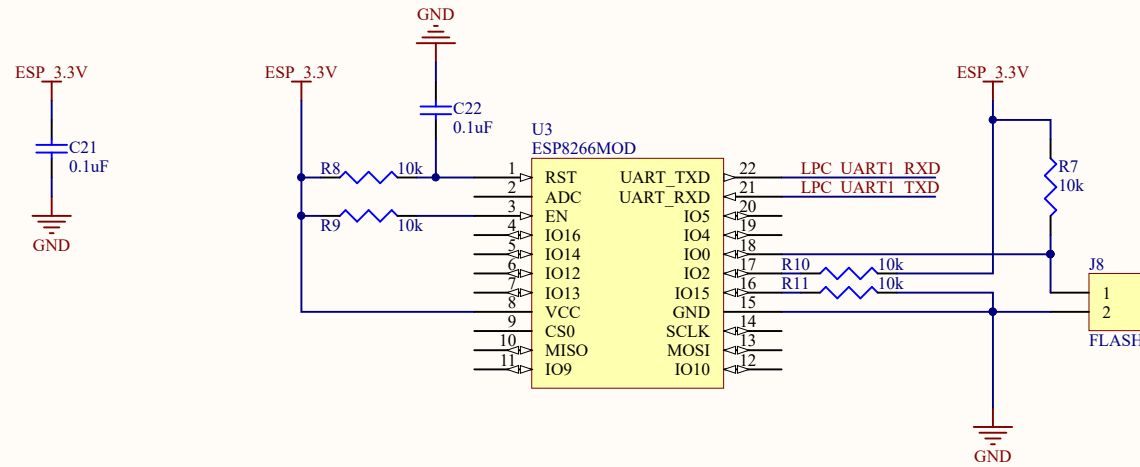


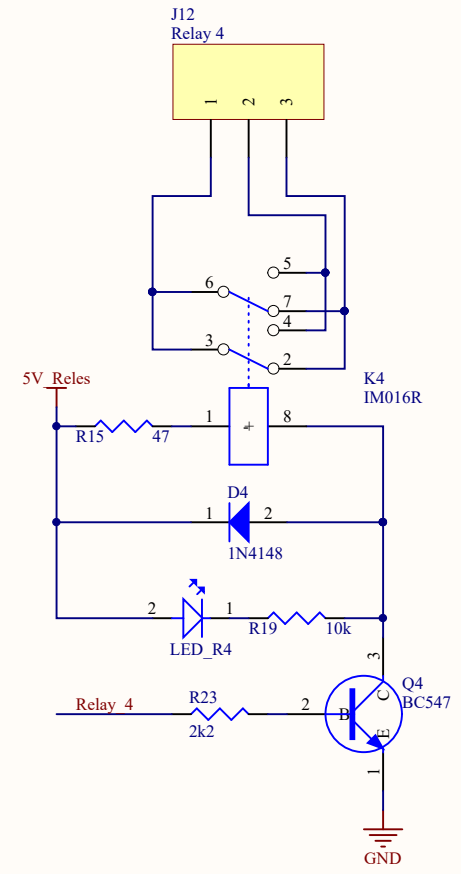
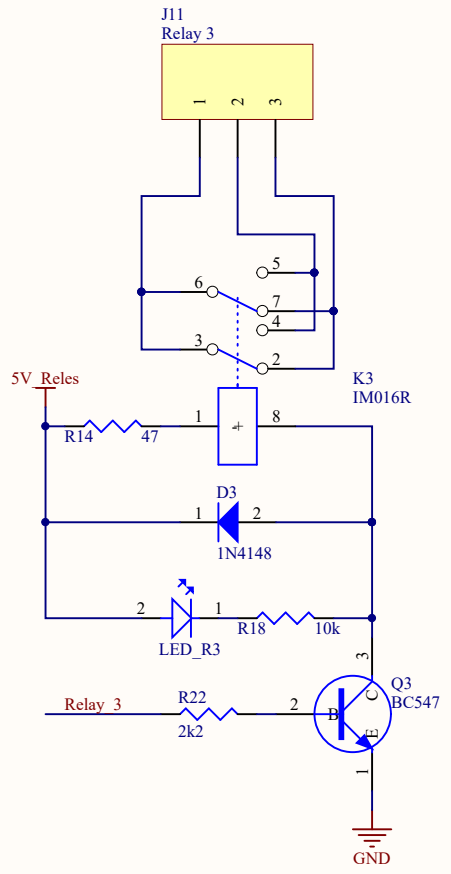
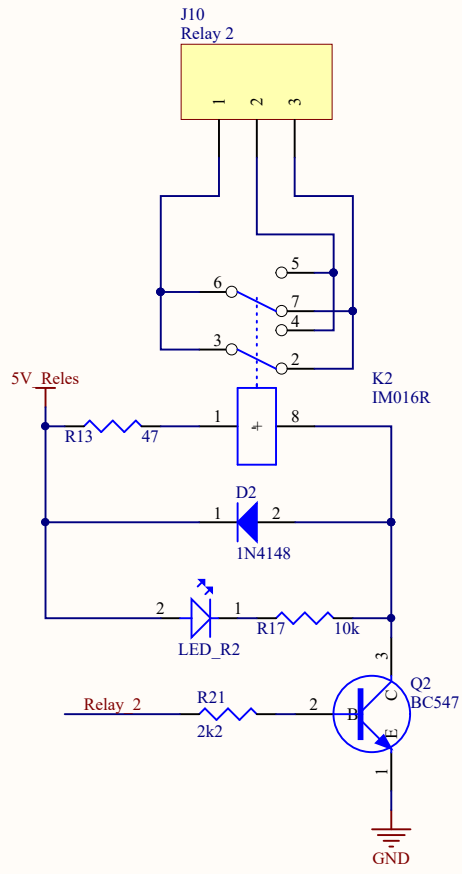
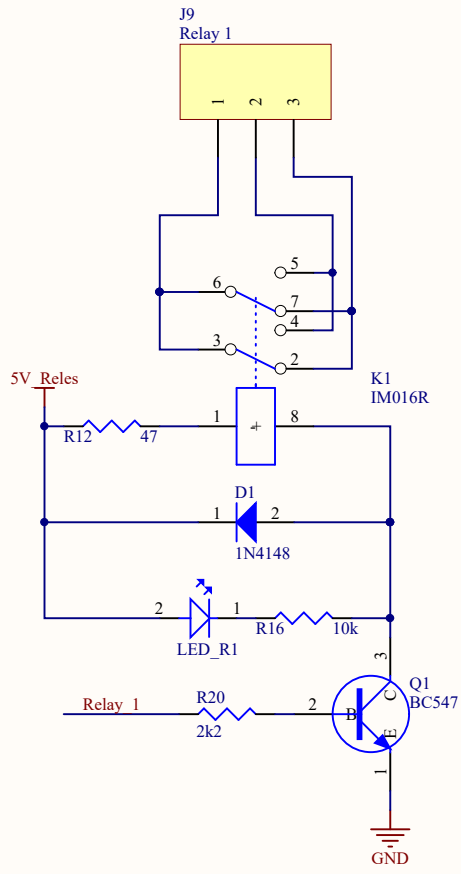
Title		
Size	Number	Revision
A4		
Date:	9/1/2019	Sheet of
File:	C:\Users\...\[01] Alimentacion.SchDoc	Drawn By:



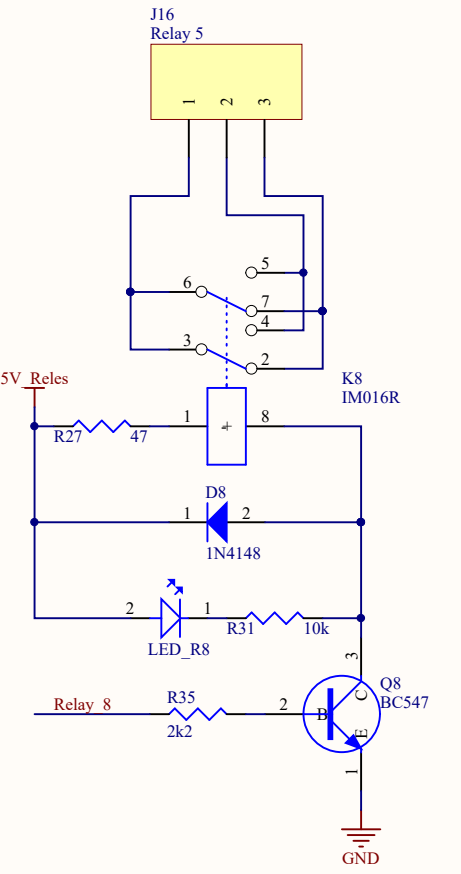
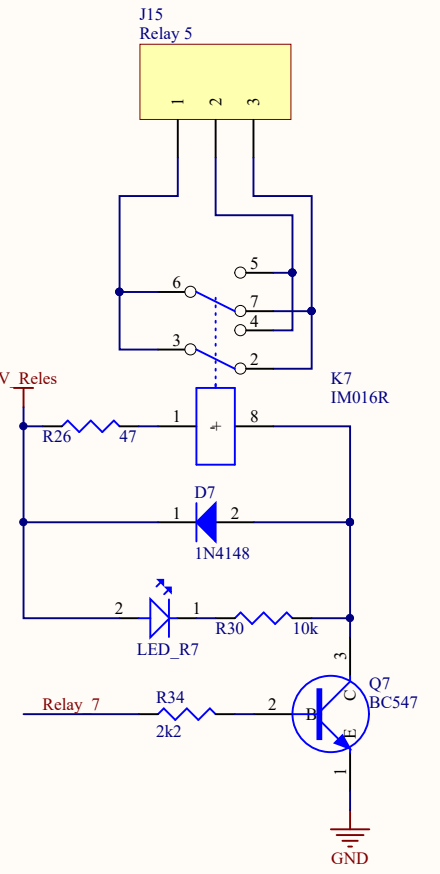
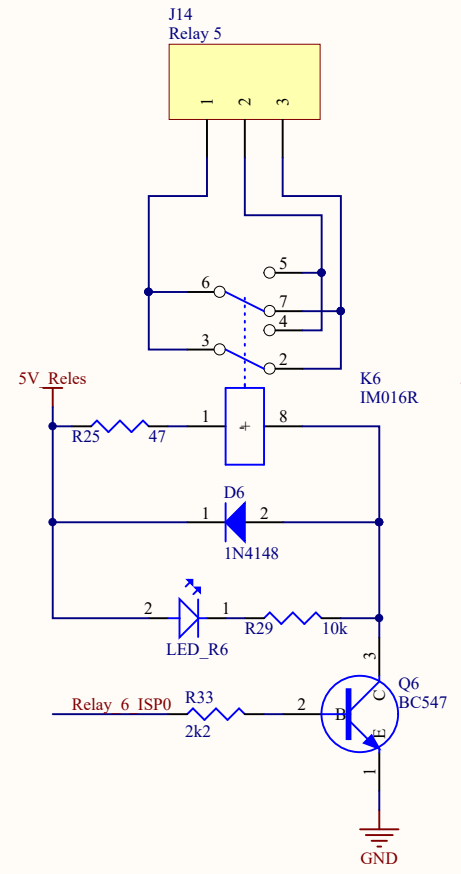
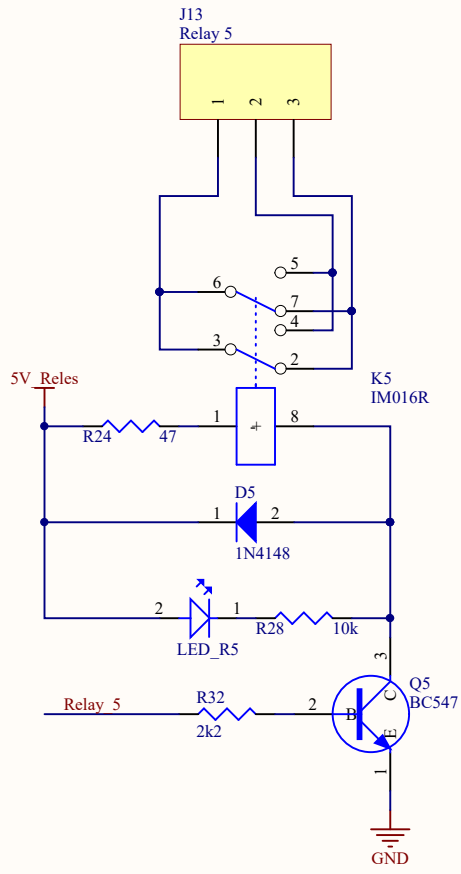
Title		
Size	Number	Revision
A4		
Date:	9/1/2019	Sheet of
File:	C:\Users\...\[02] CortexM3.SchDoc	Drawn By:



Title		
Size	Number	Revision
A4		
Date:	9/1/2019	Sheet of
File:	C:\Users\...\[03] ESP8266MOD.SchDoc	Drawn By:



Title		
Size A4	Number	Revision
Date:	9/1/2019	Sheet of
File:	C:\Users\...\[04] Relays - Parte 1.SchDoc	Drawn By:



Title		
Size	Number	Revision
A4		
Date:	9/1/2019	Sheet of
File:	C:\Users\...\[05] Relays - Parte 2.SchDoc	Drawn By: