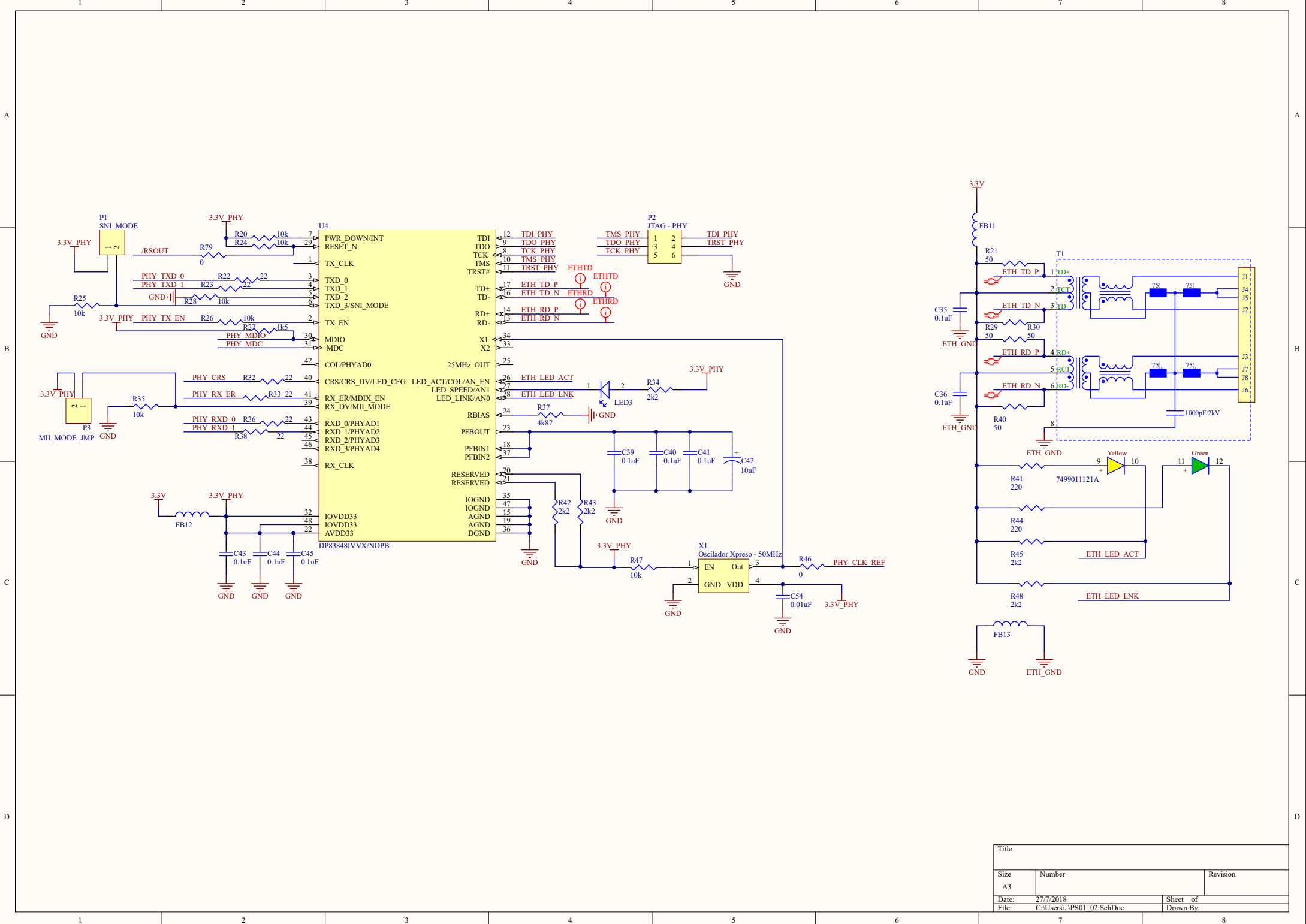


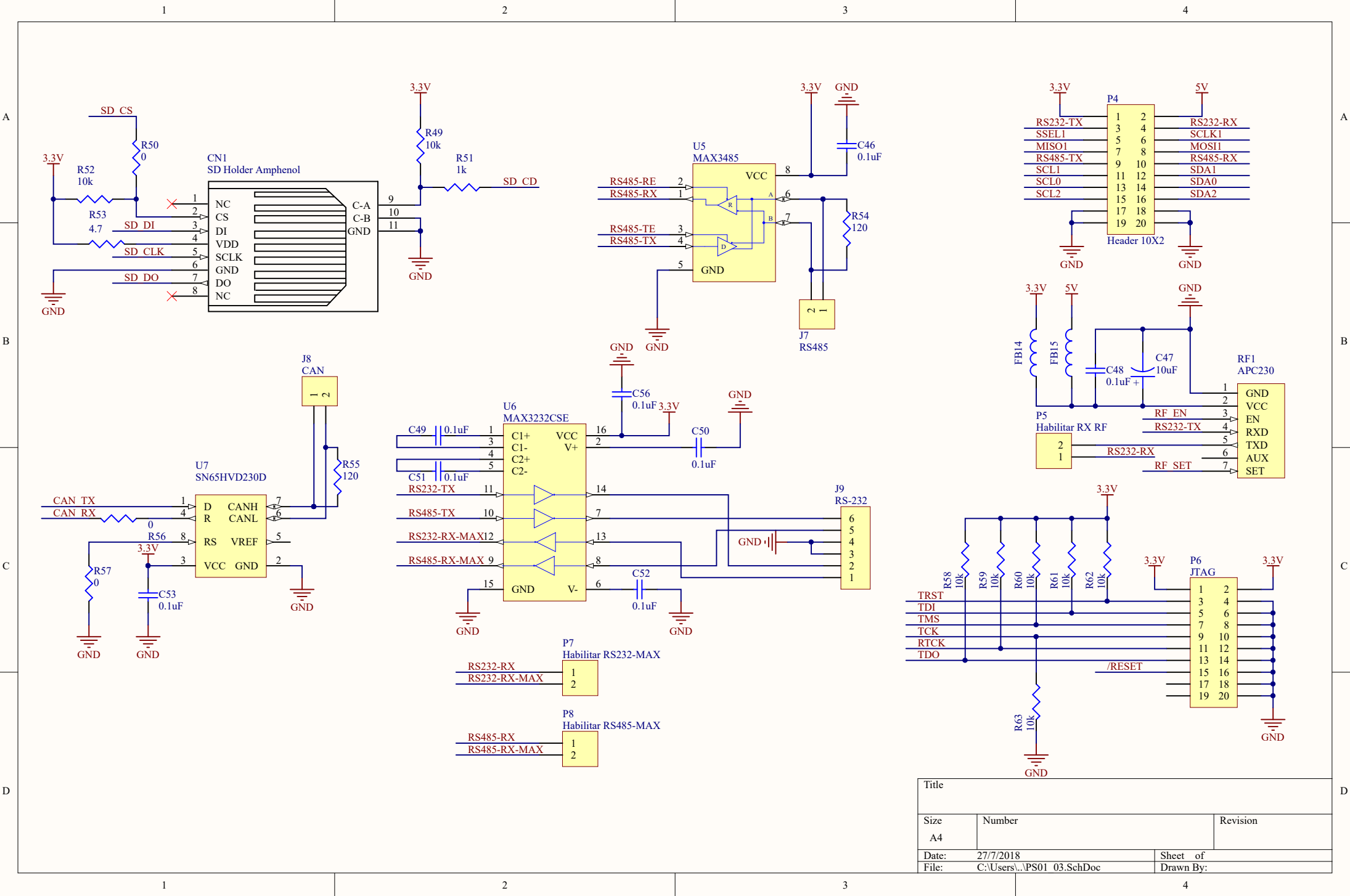
U3A
LPC1768FBD100

CAN_RX	46	P0[0]/RD1/TXD3/SDA1
CAN_TX	47	P0[1]/TD1/RXD3/SCL1
RS232-TX	98	P0[2]/TXD0/AD0[7]
RS232-RX	99	P0[3]/RXD0/AD0[6]
Key Up	81	P0[4]/I2SRX_CLK/RD2/CAP2[0]
Key Down	80	P0[5]/I2SRX_WS/TD2/CAP2[1]
SSEL1	79	P0[6]/I2SRX_SDA/SSEL1/MAT2[0]
SCL1	78	P0[7]/I2STX_CLK/SCK1/MAT2[1]
MISO1	77	P0[8]/I2STX_WS/MISO1/MAT2[2]
MOSI1	76	P0[9]/I2STX_SDA/MOSI1/MAT2[3]
SDA2	48	P0[10]/TXD2/SDA2/MAT[0]
SCL2	49	P0[11]/RXD2/SCL2/MAT[1]
RS485-TX	62	P0[15]/TXD1/SCK0/SCK
RS485-RX	63	P0[16]/RXD1/SSEL0/SSEL
RS485-RE	64	P0[17]/CTS1/MISO0/MISO
RS485-TE	65	P0[18]/DCD1/MOSI0/MOSI
SDA1	59	P0[19]/DSR1/SDA1
SCL1	58	P0[20]/DTR1/SCL1
RF_EN	57	P0[21]/R11/RD1
RF_SET	56	P0[22]/R15/TD1
AD0_0	9	P0[23]/AD0[0]/I2SRX_CLK/CAP3[0]
AD0_1	8	P0[24]/AD0[1]/I2SRX_WS/CAP3[1]
AD0_2	7	P0[25]/AD0[2]/I2SRX_SDA/TXD3
AD0_3_AOUT	4	P0[26]/AD0[3]/AOUT/RXD3
SDA0	52	P0[27]/SDA0/USB_SDA
SCL0	51	P0[28]/SCL0/USB_SCL
USBDR_P	29	P0[29]/USB_D+
USBDR_N	30	P0[30]/USB_D-
PHY_TXD_0	95	P1[0]/ENET_TXD0
PHY_TXD_1	94	P1[1]/ENET_TXD1
PHY_TX_EN	93	P1[4]/ENET_TX_EN
PHY CRS	92	P1[8]/ENET_CRS
PHY_RXD_0	91	P1[9]/ENET_RXD0
PHY_RXD_1	90	P1[10]/ENET_RXD1
PHY_RX_ER	89	P1[14]/ENET_RX_ER
PHY_CLK_REF	88	P1[15]/ENET_REF_CLK
PHY_MDC	87	P1[16]/ENET_MDC
PHY_MDIO	86	P1[17]/ENET_MDIO
Rele_3	32	P1[18]/USB_UP_LED/PWM1[1]/CAP1[0]
Rele_4	33	P1[19]/MCOA0/USB_PPWR/CAP1[1]
SD_CLK	34	P1[20]/MCIO/PWM1[2]/SCK0
OPT_OUT	36	P1[21]/MCABORT/PWM1[3]/SSEL0
SD_DO	37	P1[22]/MCOB0/USB_PPWR/MAT1[0]
SD_DI	38	P1[23]/MCI1/PWM1[4]/MISO0
SD_CD	39	P1[24]/MCIO2/PWM1[5]/MOSI0
Key Select	40	P1[25]/MCOA1/MAT1[1]
GPIOI_27	43	P1[26]/MCOB1/PWM1[6]/CAP0[0]
GPIOI_28	44	P1[27]/CLKOUT/USB_OVRCR/CAP0[1]
GPIOI_29	45	P1[28]/MCOA2/PCAP1[0]/MAT0[0]
GPIOI_30	46	P1[29]/MCOB2/PCAP1[1]/MAT0[1]
GPIOI_31	47	P1[30]/VBUS/AD0[4]
GPIOI_31	20	P1[31]/SCK1/AD0[5]
PWM1_1	75	P2[0]/PWM1[1]/TXD1
PWM1_2	74	P2[1]/PWM1[2]/RXD1
PWM1_3	73	P2[2]/PWM1[3]/CTS1/TRACEDATA[3]
PWM1_4	70	P2[3]/PWM1[4]/DCD1/TRACEDATA[2]
PWM1_5	69	P2[4]/PWM1[5]/DSR1/TRACEDATA[1]
PWM1_6	68	P2[5]/PWM1[6]/DTR1/TRACEDATA[0]
GPIO2_6	67	P2[6]/PCAP1[0]/R11/TRACECLK
GPIO2_7	66	P2[7]/RD2/R15
GPIO2_8	65	P2[8]/TD2/TXD2
USB_CONNECT	64	P2[9]/USB_CONNECT/RXD2
/ISP_OPT_IN	53	P2[10]/EINT0/NMI
GPIO2_11	52	P2[11]/EINT1/I2STX_CLK
GPIO2_12	51	P2[12]/EINT2/I2STX_WS
GPIO2_13	50	P2[13]/EINT3/I2STX_SDA
Rele_2	27	P3[25]/MAT0[0]/PWM1[2]
Rele_1	26	P3[26]/STCLK/MAT0[1]/PWM1[3]
Key Left	82	P4[28]/RX_MCLK/MAT2[0]/TXD3
Key Right	85	P4[29]/TX_MCLK/MAT2[1]/RXD3

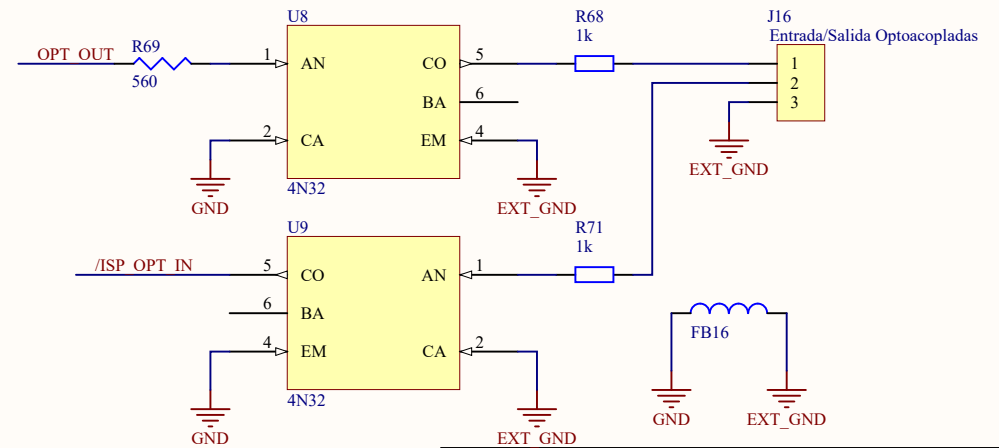
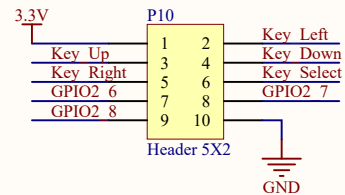
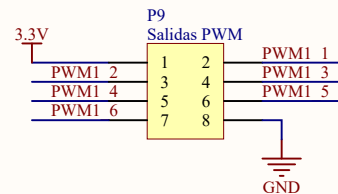
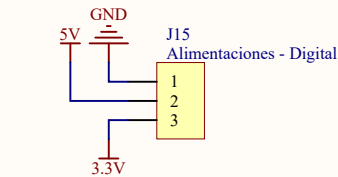
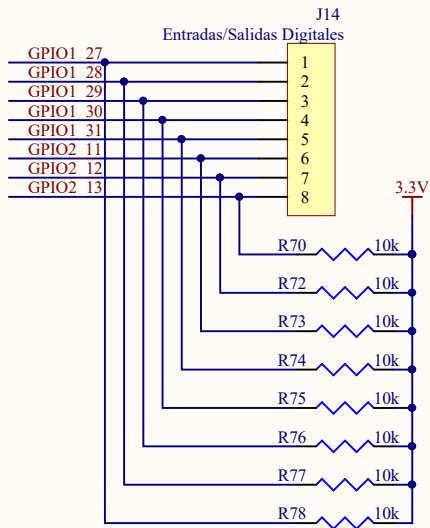
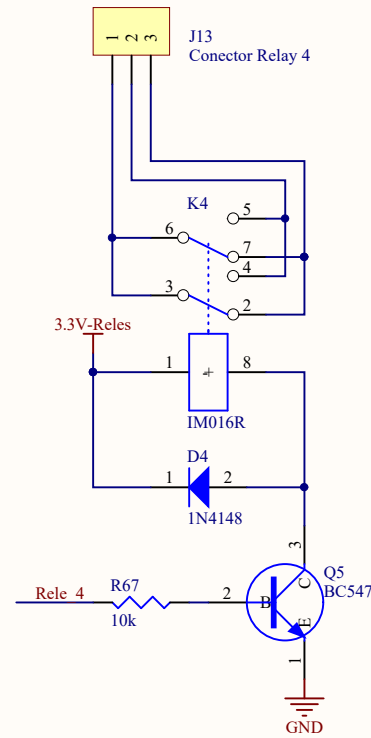
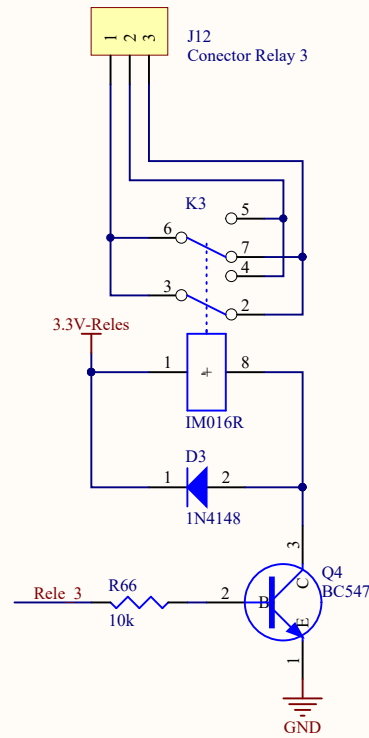
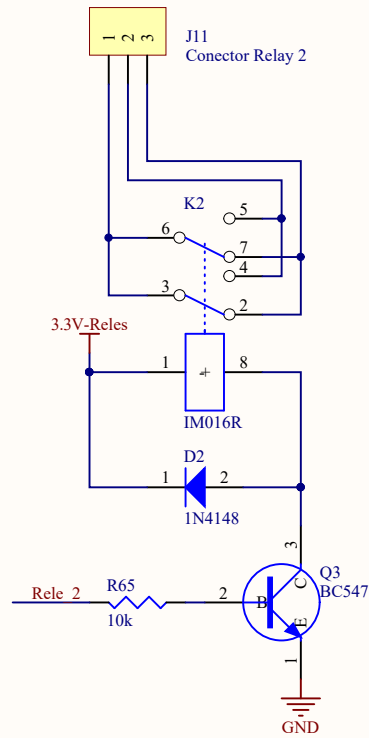
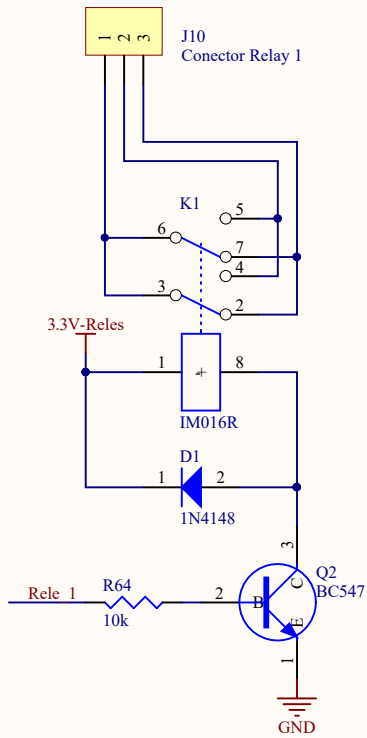
Title		
Size	Number	Revision
A3		
Date:	27/7/2018	Sheet of
File:	C:\Users\VP501_01.SchDoe	Drawn By:



Title		
Size	Number	Revision
A3		
Date:	27/7/2018	Sheet of
File:	C:\Users\...PS01_02.SchDoc	Drawn By:



Title		
Size	Number	Revision
A4		
Date:	27/7/2018	Sheet of
File:	C:\Users\...\PS01_03.SchDoc	Drawn By:



Title		
Size	Number	Revision
A4		
Date:	27/7/2018	Sheet of
File:	C:\Users\...\PS01_04.SchDoc	Drawn By: